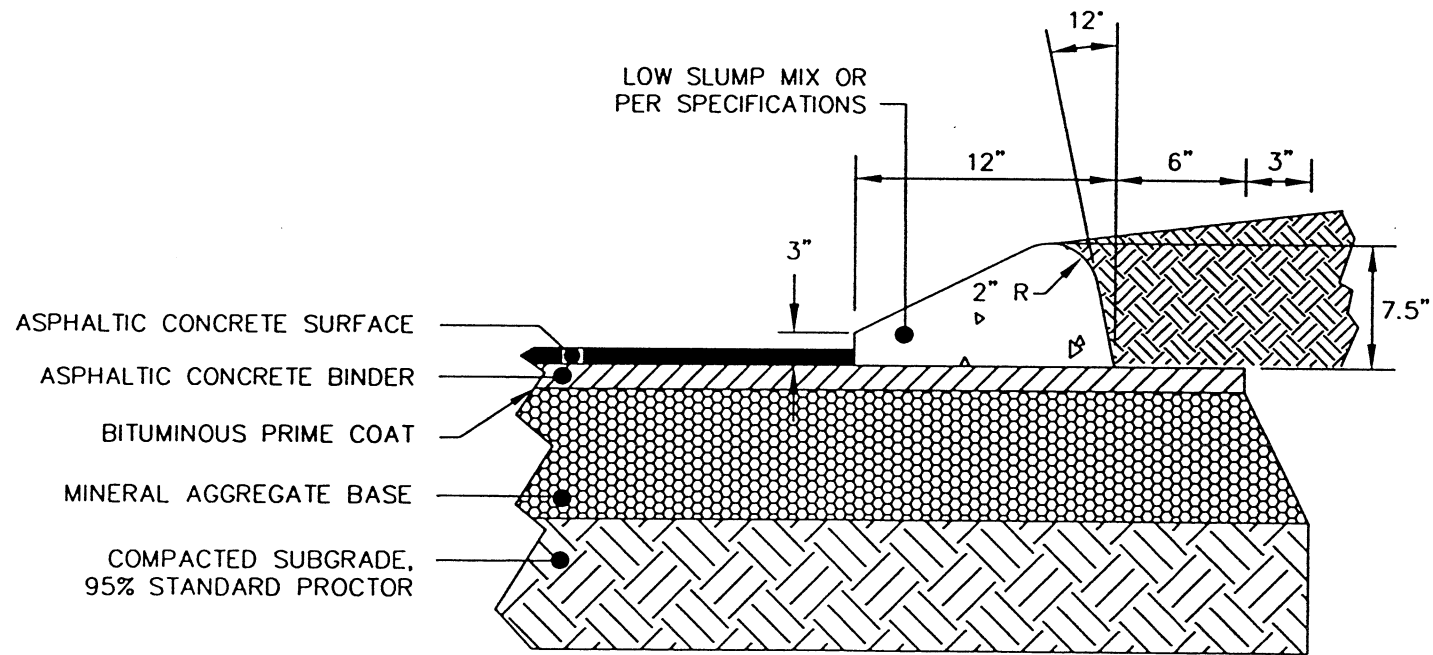
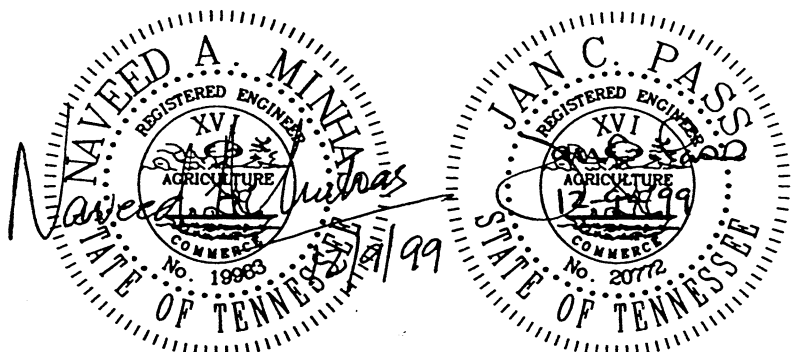


**RESIDENTIAL, MOUNTABLE,
CONCRETE RAMP DETAIL**



* NOTE
SEE NOTES ON STANDARD SD-203.01.

**RESIDENTIAL, MOUNTABLE, EXTRUDED
CONCRETE CURB DETAIL**



			CITY OF CHATTANOOGA AND HAMILTON COUNTY	
			CONCRETE CURB (RESIDENTIAL)	
			DATE OF ORIGINAL ISSUE	STANDARD NUMBER : SD-203.02
			DECEMBER 10, 1999	
0	INITIAL ISSUE	12/10/99		
NO.	REVISION	DATE		