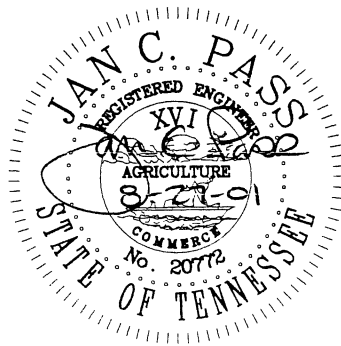
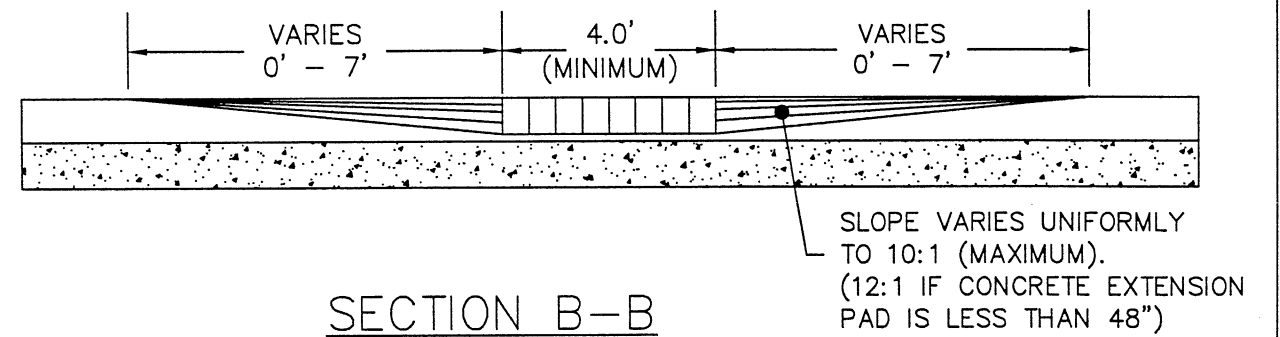
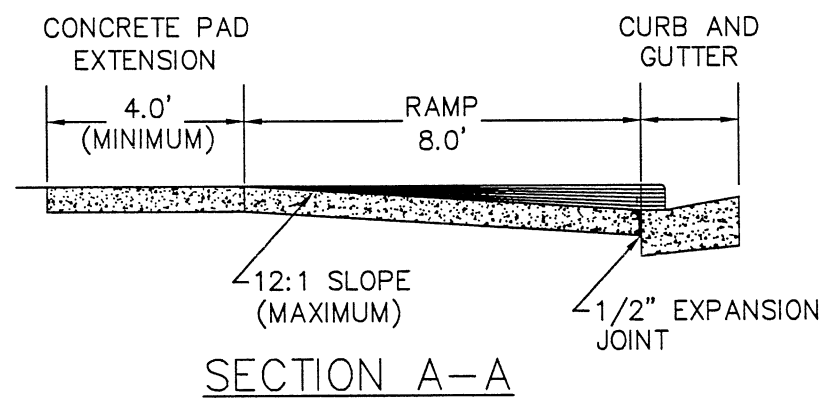
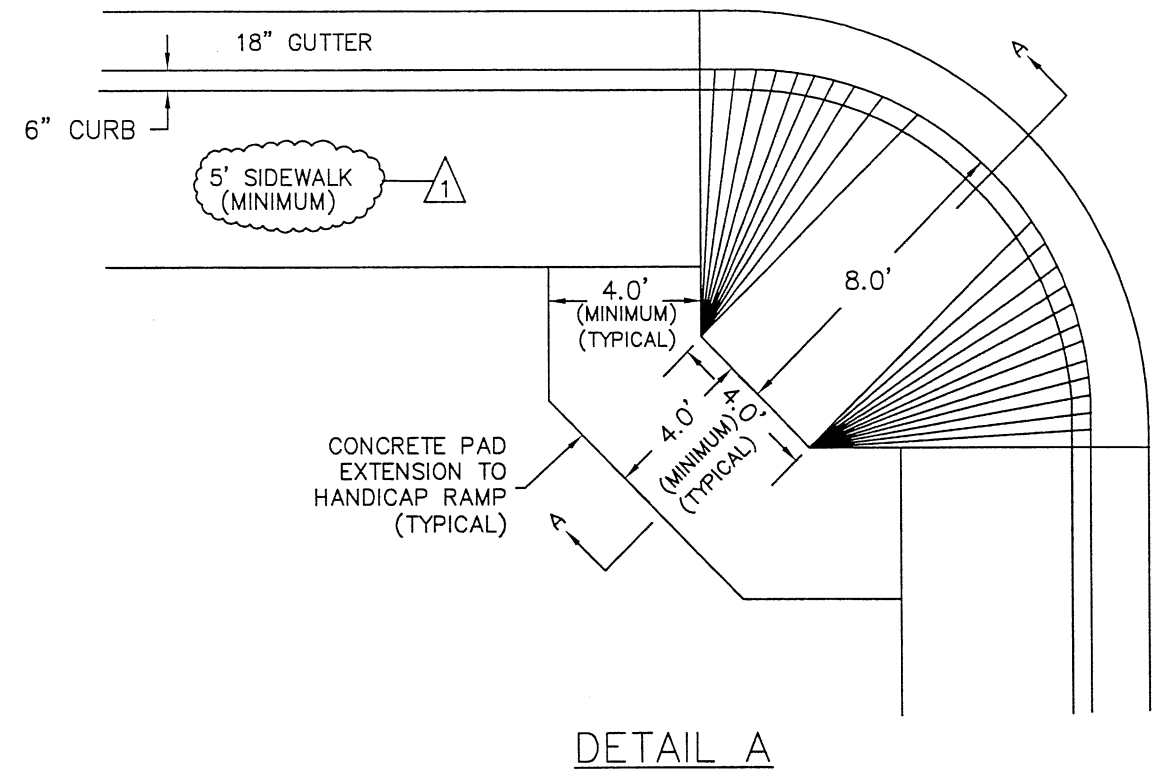
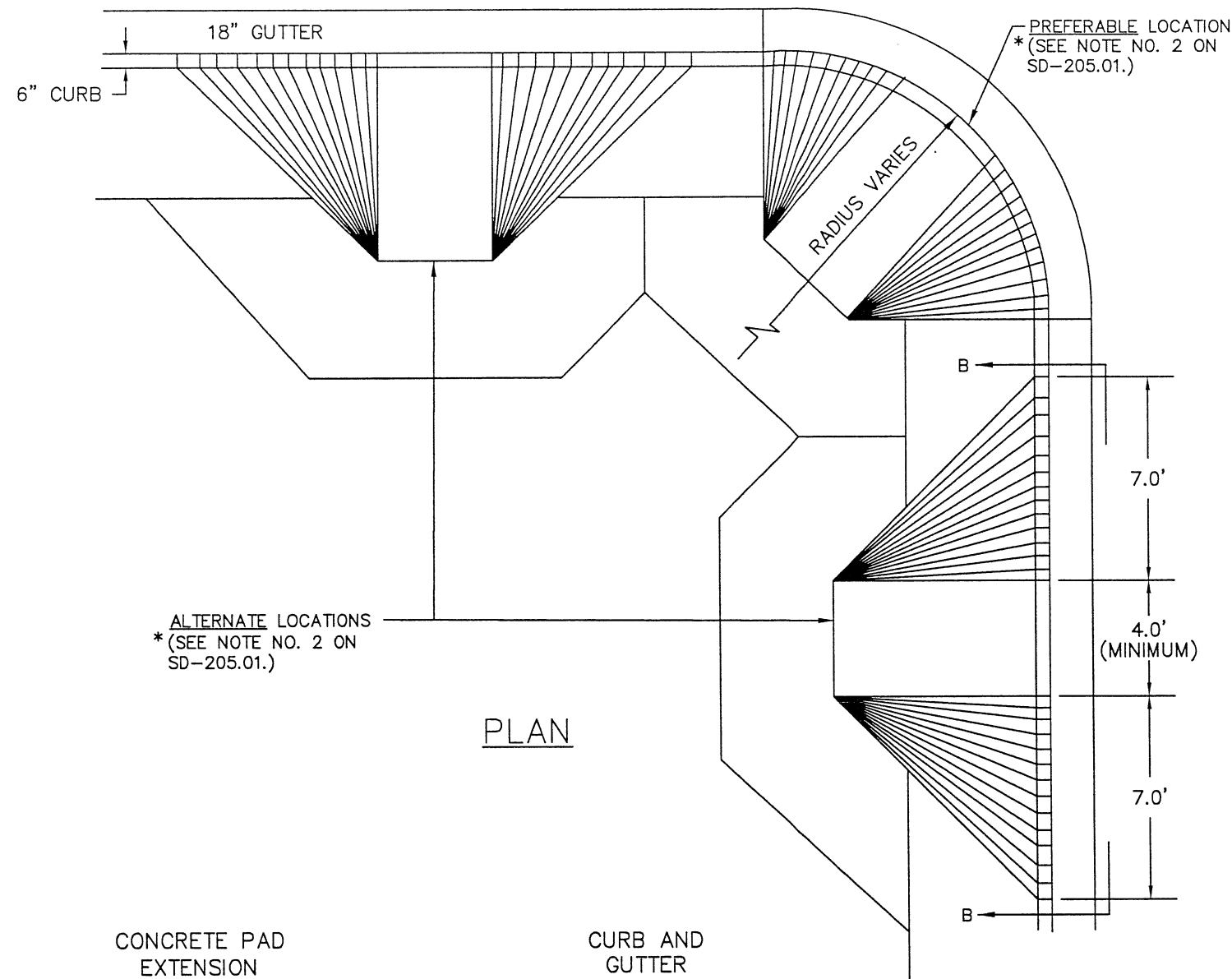


F:\STDDWGS\Handicap Ramp Detail\handiramp_2.dwg



NO.	REVISION	DATE
1	REVISIONS AS MARKED OR CLOUDED	8/24/01
0	INITIAL ISSUE	12/10/99

CITY OF CHATTANOOGA AND HAMILTON COUNTY	
HANDICAP RAMP DETAILS	
DATE OF ORIGINAL ISSUE DECEMBER 10, 1999	STANDARD NUMBER: SD-205.02