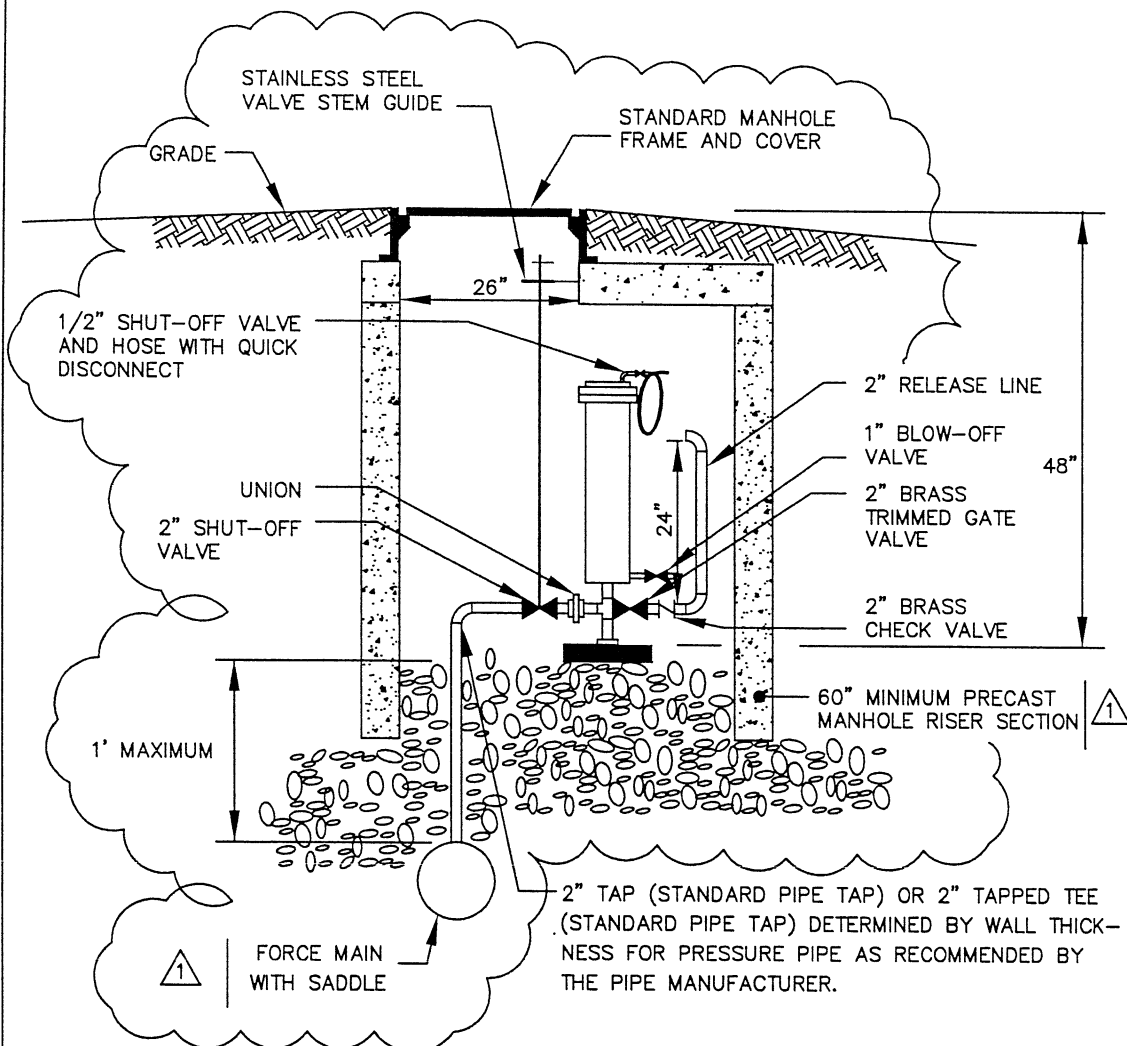
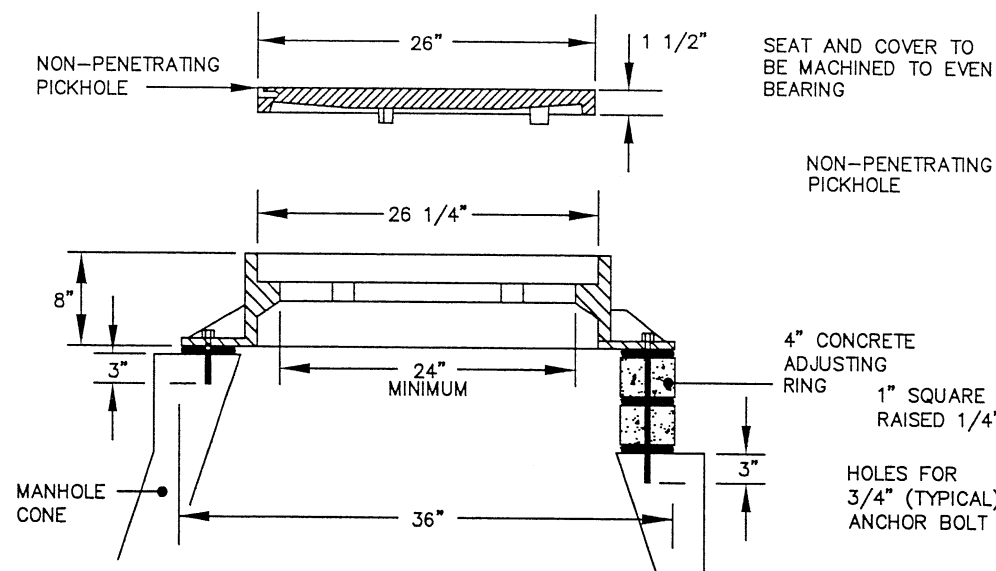


NOTES

- AIR RELEASE VALVE IS TO BE "CRISPIN SEWER VALVE", APCO 400 SEWAGE VALVE, OR EQUAL.
- AIR-VACUUM VALVE INSTALLATION IS TO BE SIMILAR EXCEPT THAT THE VALVE IS TO BE APCO 402 SEWAGE VALVE, OR EQUAL.
- 2" RELEASE LINE, GATE VALVE, AND CHECK VALVE ON AIR-VACUUM VALVE ONLY.

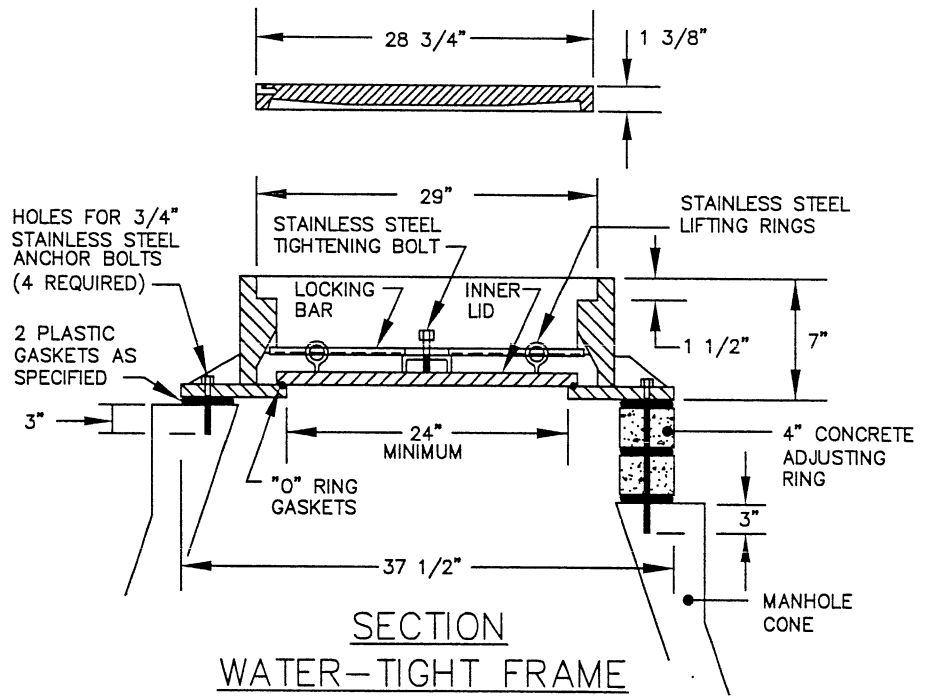


**AIR RELEASE VALVE
(SANITARY FORCE MAIN)**



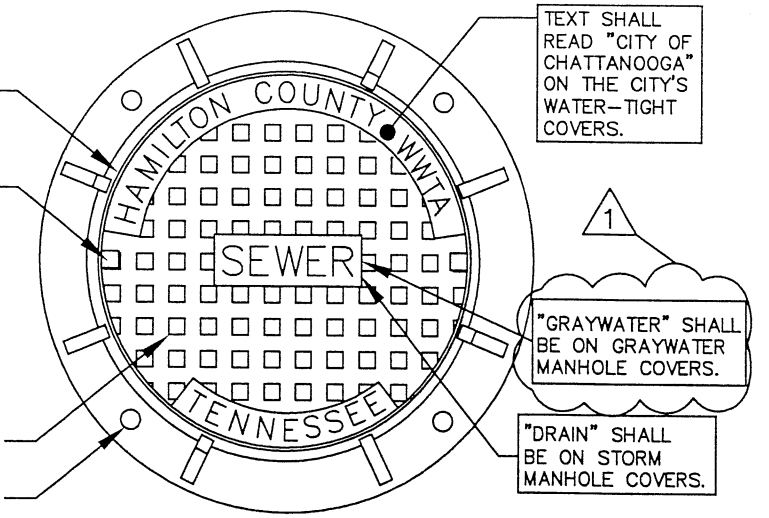
**SECTION
STANDARD FRAME AND COVER**

ACHESON FOUNDRY A-2024-81C (CITY),
A-2024-81D (CITY-"DRAIN"),
A-2024-81H (COUNTY),
OR APPROVED EQUAL

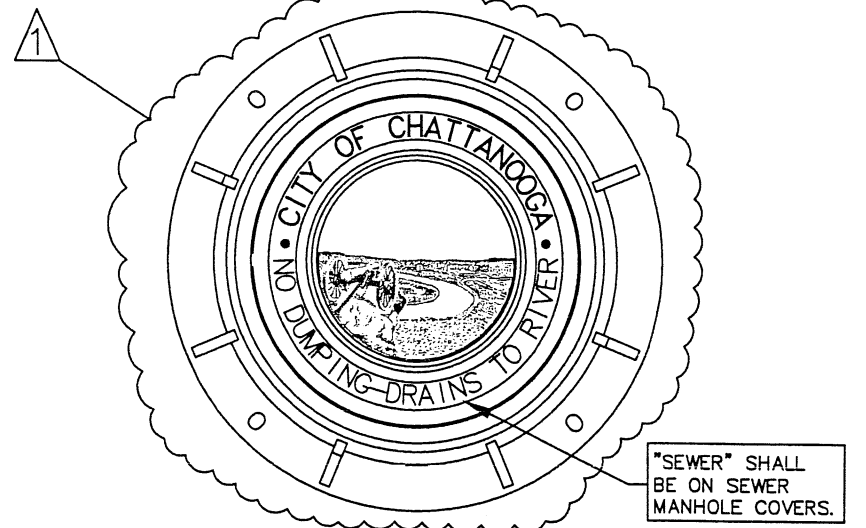


**SECTION
WATER-TIGHT FRAME
AND COVER**

ACHESON FOUNDRY A-2624-71C (CITY),
A-2624-71H (COUNTY),
OR APPROVED EQUAL



PLAN - FRAME AND COVER
ACHESON FOUNDRY (STANDARD) A-2024-81H (COUNTY),
(WATER-TIGHT) A-2624-71H (COUNTY),
(WATER-TIGHT) A-2624-71C (CITY),
OR APPROVED EQUAL



PLAN - FRAME AND COVER
ACHESON FOUNDRY (STANDARD) A-2024-81D (CITY),
(STANDARD) A-2024-81C (CITY-"SEWER"),
OR APPROVED EQUAL

	SPECIFIED MINIMUM WEIGHTS	
	STANDARD	WATERTIGHT
COVER	165 LBS.	190 LBS.
FRAME	185 LBS.	400 LBS.
TOTAL	350 LBS.	590 LBS.

NOTES

- THE MANUFACTURER SHALL CERTIFY THE TRAFFIC BEARING CAPACITY OF FRAMES AND COVERS.
- MANHOLES IN PAVED AREAS MAY NOT REQUIRE ANCHOR BOLTS.
- BEARING SURFACES BETWEEN COVER AND FRAME SHALL BE MACHINED TO PREVENT ROCKING.

MANHOLE FRAME AND COVER

**CITY OF CHATTANOOGA AND HAMILTON COUNTY
SANITARY/STORM MANHOLE DETAILS**

NO.	REVISION	DATE
1	REVISIONS AS MARKED OR CLOUDED	8/24/01
0	INITIAL ISSUE	12/10/99

DATE OF ORIGINAL ISSUE
DECEMBER 10, 1999

STANDARD NUMBER: **SD-301.03**

F:\STDD\WGS\Manhole-County\ManholewithForceMain_3\PRINTABLEGREY.dwg

