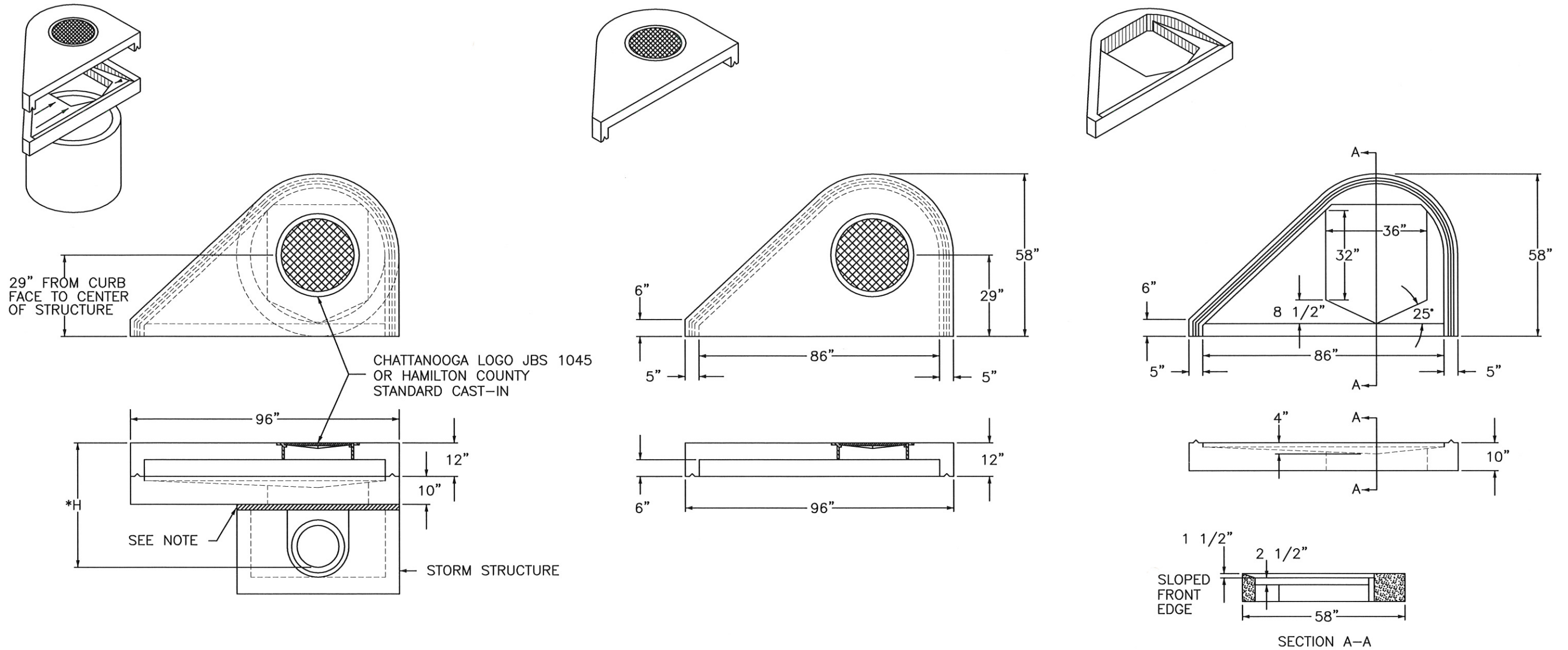
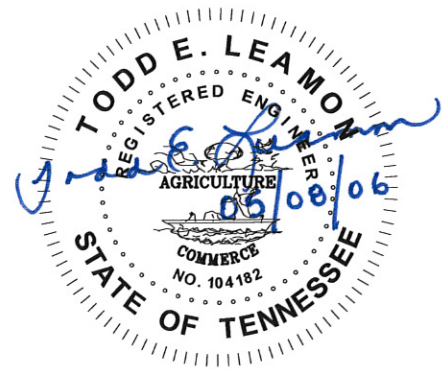


E:\Standard Drawings (AutoCAD)\7\_Drainage (SD-600)\SD-610.01.dwg



**NOTE**  
 4" OF ADJUSTMENT IF ROADWAY SLOPE IS EQUAL TO OR LESS THAN 5 PERCENT. IF ROADWAY SLOPE EXCEEDS 5 PERCENT, THEN ADDITIONAL ADJUSTMENT MUST BE USED UP TO A MAXIMUM OF 8".

\*H: SEE STANDARD SD-610.04



1	CURB INLET-LEFT MOVED TO THIS SHEET AND UPDATED	3/27/06
0	INITIAL ISSUE	12/10/99
NO.	REVISION	DATE

<b>CITY OF CHATTANOOGA AND HAMILTON COUNTY</b>	
<b><i>CURB INLET-LEFT (PRECAST CONCRETE)</i></b>	
DATE OF ORIGINAL ISSUE <b>DECEMBER 10, 1999</b>	STANDARD NUMBER: <b>SD-610.01</b>